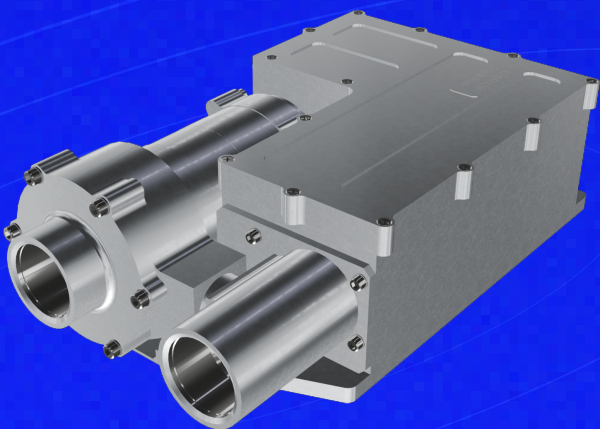




## 3000 Series Pump

*Proven, Available, Exportable*



[www.pd-tech.com](http://www.pd-tech.com)

3000 SERIES

# Designed for Tomorrow's Aerospace Applications

The 3000 Series commercial pumps were developed utilizing AMETEK PDT's best-in-class aerospace heritage and the latest technology.

Our modular design provides the flexibility to accommodate a myriad of different performance, fluid and power options.

- Designed for the power formats of modern aircraft
- Comprehensive operating point coverage for nearly any application
- Adaptable to various systems with variable speeds
- Can operate with a variety of fluids, including PAO, EGW, PGW, and fuels
- Tested and Ready: Long lead components are stocked
- Proven productionization with the ability to quickly ramp
- No Development NRE: Designed for tomorrow's applications

## 3000 Series Pump Specifications

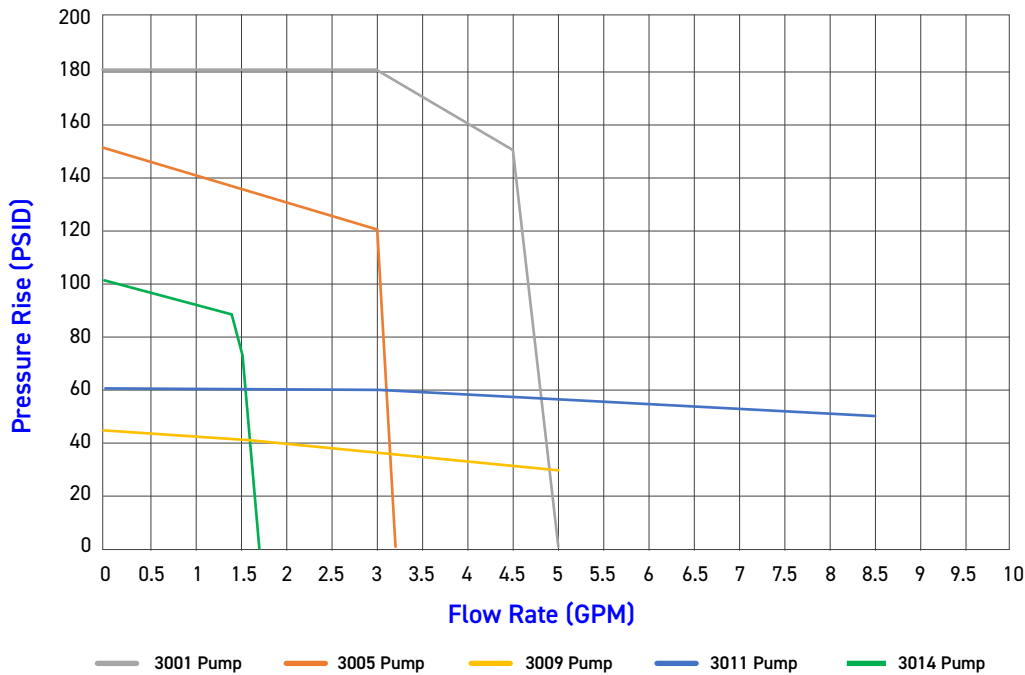
Model No	Rated Flow	Rated Pressure Rise (PSID)	Maximum Power Consumption (W)	Power Source	Fluid Configurability	Weight Estimate (lbs)
3001-2	5	150	1500	270 VDC	Configurable to water based, oil, or fuels	9.4
3002	20	70	1500	270 VDC	Configurable to water based, oil, or fuels	9
3003	50	100	5000	270 VDC	Configurable to water based, oil, or fuels	18
3003-1	100	50	5000	270 VDC	Configurable to water based, oil, or fuels	18
3005	3	120	600	28 VDC	Configurable to water based, oil, or fuels	6.5
3011	8.5	50	600	28 VDC	Configurable to water based, oil, or fuels	6.5
3014	1.5	75	250	28 VDC	Configurable to water based, oil, or fuels	2.2
3009	3.5	35	250	28 VDC	Configurable to water based, oil, or fuels	2.2

## Performance

The 3000 Series commercial pumps are all variable speed BLDC motor driven pumps and are capable of any operating point within the maximum pump capability plots shown for each pump below.

# Performance

## 3000 Pump Series (3001, 3005, 3009, 3011, 3014)



## 3000 Pump Series (3002, 3003, 3003-1)

