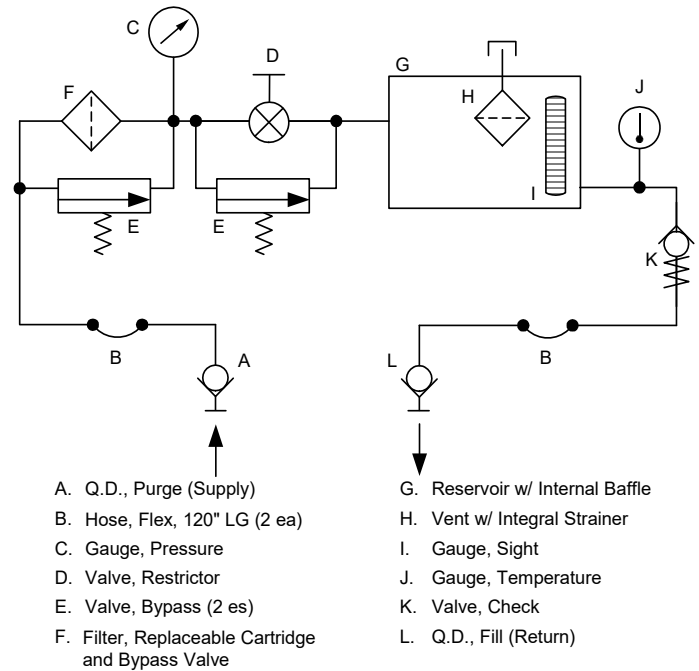


PURGE/ FILL SYSTEM

PDT Model 5496



Hydraulic Schematic

Description

The PDT Model 5496 purge/fill service unit allows the Liquid Cooling System (LCS) to be filled with PAO, flush the system to remove contaminants, and

allows the removal of trapped air. If necessary, this service unit is capable of pressurizing the system. Quick disconnect connectors incorporate a pres-

sure relief mechanism to prevent damage caused by thermally-induced volumetric changes of trapped coolant when in the disconnected state.

Specification

Unit Parameters

Fluid:	Polyalphaolefin (PAO) per MIL-C-87252 (other fluids available)
Reservoir Volume:	3.0 Gallons (min)
Filtration:	10 Micron Absolute
Pressure Gauge:	0-100 psi
Temperature Gauge:	-40°F to +160°F
Dry Weight:	35 lbs. (max)

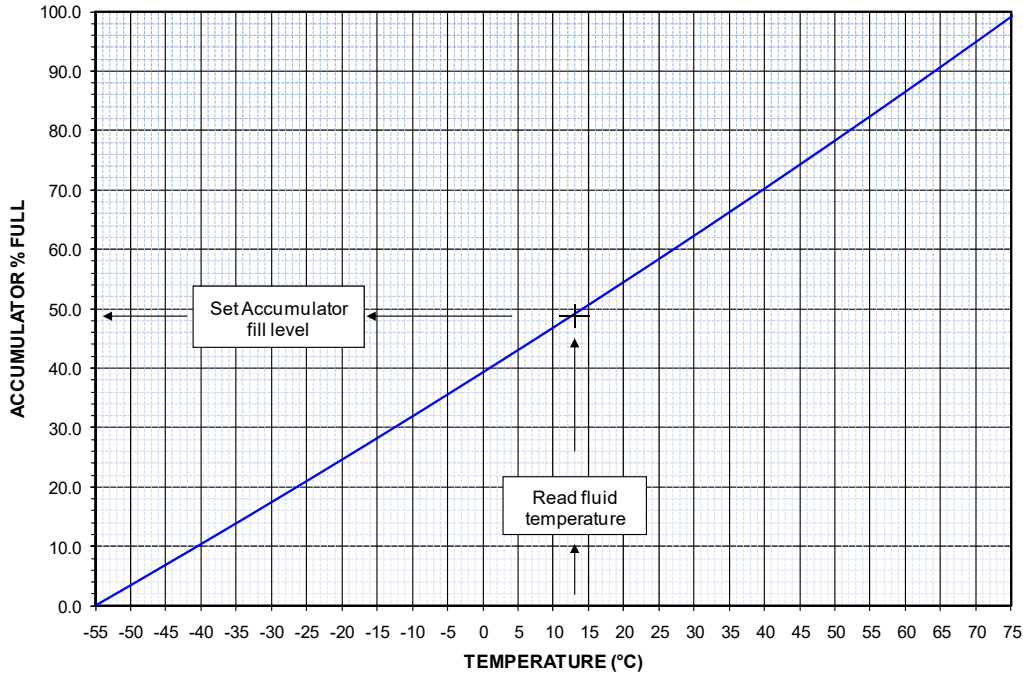
Unit Detail

2x Flex Hose: 120" long with quick disconnects
(not shown in photo)

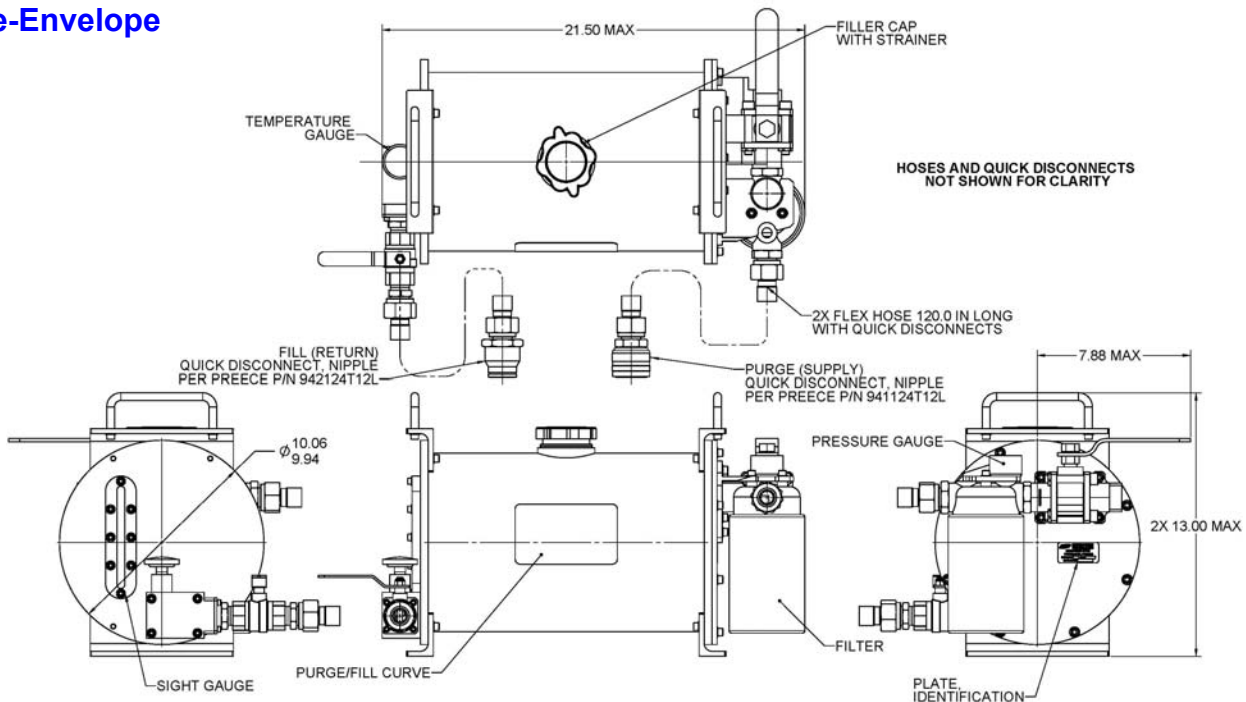
PURGE/ FILL SYSTEM

Charging Instructions

Closed-loop liquid cooling systems employ an accumulator to provide sufficient volume to allow the working fluid to expand and contract through the system's operational temperature range. To ensure the LCS is properly filled, the operator utilizes an Accumulator Fill Chart developed for that system. By measuring fluid temperature and accumulator fill level, the operator adjusts the quantity of fluid in the LCS to ensure it is properly charged before the system is put into service, or after system maintenance.



Outline-Envelope



PACIFIC DESIGN TECHNOLOGIES, INC.
6300 Lindmar Drive, Goleta, CA 93117
Tel: (805) 961-9110
Fax: (805) 961-9120
www.pd-tech.com

AMETEK®
AEROSPACE & DEFENSE
THERMAL MANAGEMENT SYSTEMS

**AS9100
CERTIFIED QUALITY
MANAGEMENT
SYSTEM**

Our people are part of our product.

PDT Model 5496