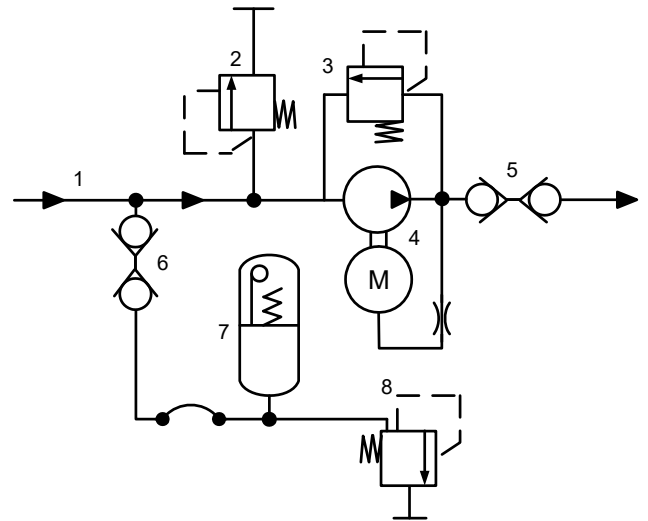
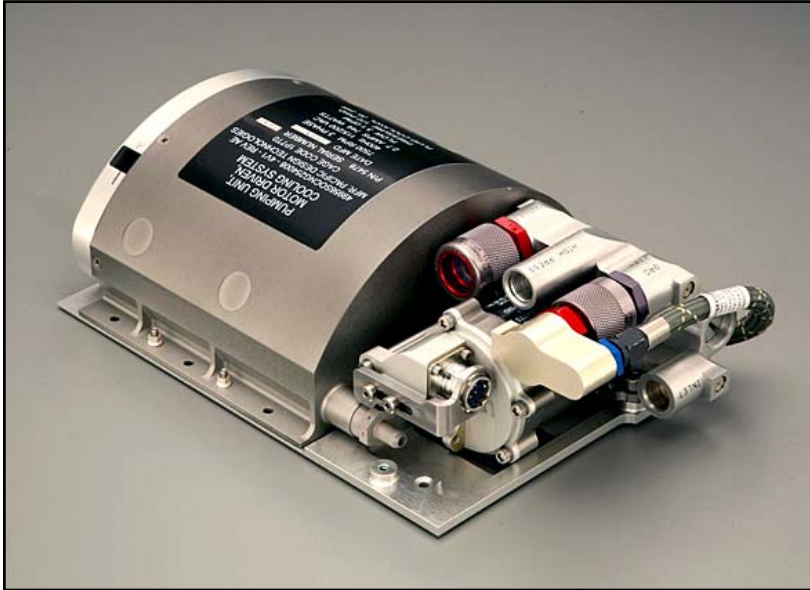


## PUMPING UNIT, MOTOR DRIVEN, COOLING SYSTEM

PDT Model 5478



1. Inlet Port
2. High Pressure Relief Valve
3. Bypass Relief Valve
4. Pump
5. Outlet Port
6. Connection, Reservoir Ground Cooling
7. Reservoir
8. Low Pressure Relief Valve

### Hydraulic Schematic

### Description

PDT Model 5478 Pumping Unit is designed for operation within a Fighter Aircraft wing pod. The Unit's unique envelope dictated the design of an ac-

cumulator with a D-shaped piston. A Maintenance Lockout Mechanism has been integrated as a reliability enhancement. Model 5478 is fully quali-

fied to MIL-STD-810 environmental conditions and MIL-STD-461 EMI requirements.

### Specification

#### 5501 Pump Parameters:

Fluid:	Coolanol 20 or Coolanol 25R per MIL-C-47220
Pump Flow:	3.1 gpm @ 172 psid
Inlet Pressure:	3 psig @ 21°C
Temperature Ranges:	Operating: -54°C to +95°C Ambient Storage: -62°C to +125°C
Operating Voltage:	115/200 VAC 3 Ø 400 Hz
Power Consumption:	744 Watts
Current:	2.73 amps / Ø (avg)
Pressure:	Proof: 275 psid Burst: 460 psid
Pump Type:	Positive Displacement
Dry Weight:	10.5 lbs (max, dry)

#### 5502 Reservoir

Pressure:	Operating: 0.5 psig (min) to 12 psig (max) Proof: 16 psig Burst: 32 psig
Volume:	83 cu in.

#### PACIFIC DESIGN TECHNOLOGIES, INC.

6300 Lindmar Drive, Goleta, CA 93117  
Tel: (805) 961-9110  
Fax: (805) 961-9120  
www.pd-tech.com



AS9100  
CERTIFIED QUALITY  
MANAGEMENT  
SYSTEM

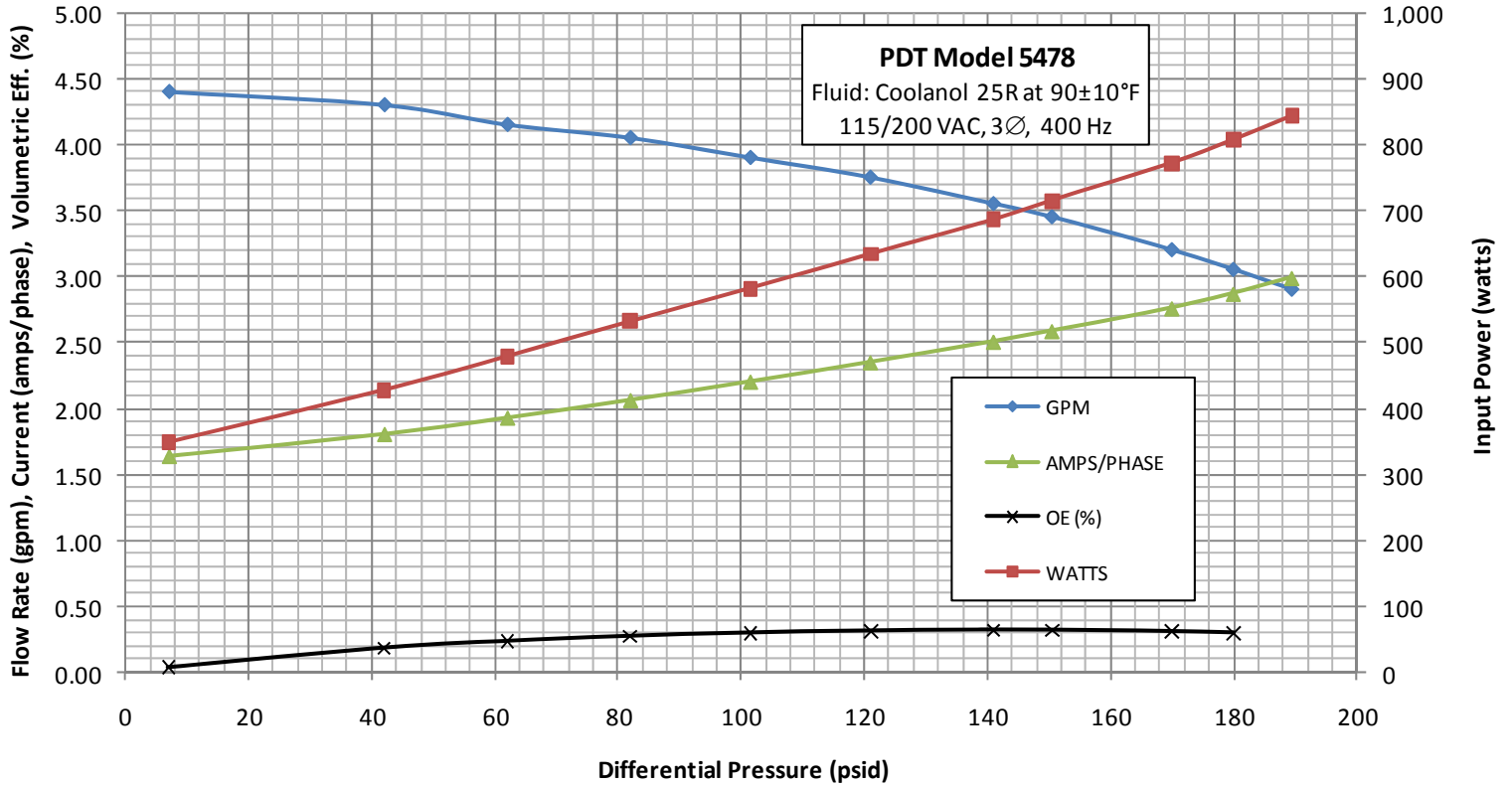
*Our people are part of our product.*

PDT Model 5478

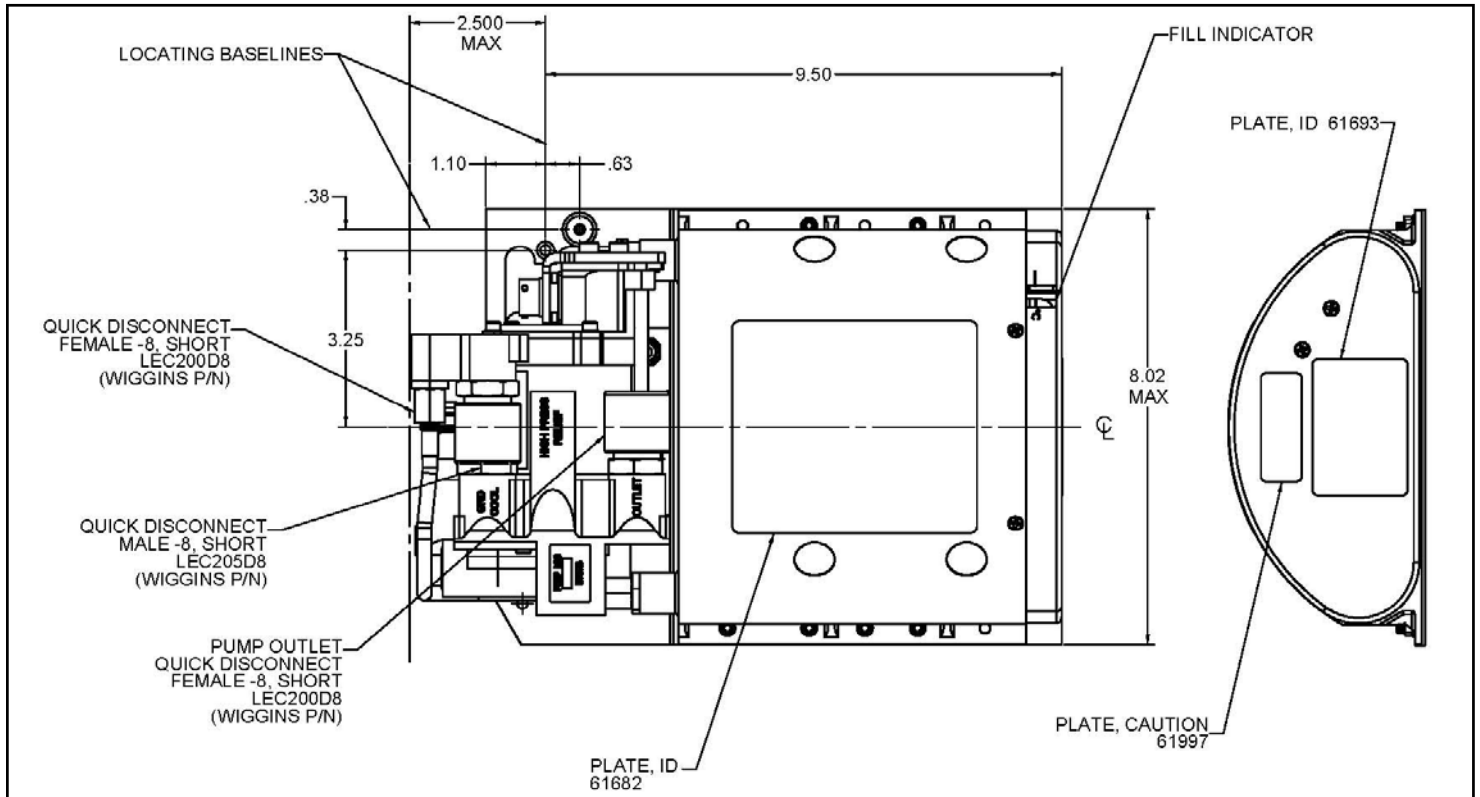
# PUMPING UNIT, MOTOR DRIVEN, COOLING SYSTEM

PDT Model 5478

## Performance Graph



## Dimensions



**PACIFIC DESIGN TECHNOLOGIES, INC.**  
6300 Lindmar Drive, Goleta, CA 93117  
Tel: (805) 961-9110  
Fax: (805) 961-9120  
www.pd-tech.com

**AMETEK**<sup>®</sup>  
AEROSPACE & DEFENSE  
THERMAL MANAGEMENT SYSTEMS

**AS9100**  
CERTIFIED QUALITY  
MANAGEMENT  
SYSTEM

*Our people are part of our product.*

PDT Model 5478