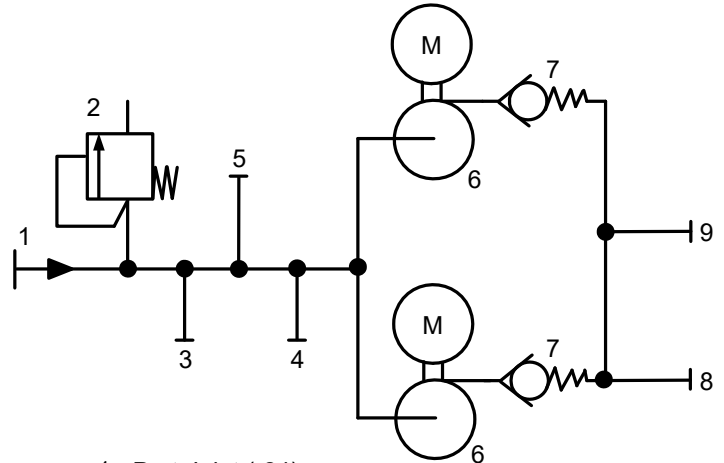


COOLANT PUMP

PDT Model 5386



- | | |
|---------------------------|-----------------------|
| 1. Port, Inlet (-24) | 6. Pump, PAO, AC |
| 2. Valve, Pressure Relief | 7. Valve, Check |
| 3. Port, Purge (-24) | 8. Port, Fill (-24) |
| 4. Port, Accumulator | 9. Port, Outlet (-24) |
| 5. Port, Inlet Pressure | |

Hydraulic Schematic

Description

PDT Model 5386 depicts a redundant pump assembly which typically has a single pump operating at one time. Reverse flow through the idle pump is pre-

vented via the integral check valves at each pump outlet. PDT Model 5386 also includes interfaces for purging and filling, and an accumulator port.

The unit is qualified to various RTCA-DO-160 and MIL-STD-810 fixed-wing flight environmental conditions.

Specification

Pump Parameters

Fluid:	Polyalphaolefin (PAO) per MIL-PRF-87252
Flow:	40.0 gpm (min) @ 115 psid
Inlet Pressure:	25±1 psig @ +68°F
Temperature:	Operating: -67°F to +160°F
	Ambient Storage: -67°F to +185°F
Operating Voltage:	115/200 VAC, 3Ø, 400 Hz
Input Power :	30 amps/ phase (max)
Pressure:	Proof: 375 psig
	Burst: 500 psig
Pump Type:	Centrifugal
Dry Weight:	60.0 lbs (max)
Finish:	Aluminum surfaces anodized per MIL-A-8625F Type II.
	Mounting interface finished per MIL-C-5541 Class 3
Electrical:	Motor over-temperature switches

Relief Valve Information

Crack:	150±15 psig
Reset:	130 psig (min)

PACIFIC DESIGN TECHNOLOGIES, INC.

6300 Lindmar Drive, Goleta, CA 93117
 Tel: (805) 961-9110
 Fax: (805) 961-9120
 www.pd-tech.com

AMETEK®
 AEROSPACE & DEFENSE
 THERMAL MANAGEMENT SYSTEMS

**AS9100
 CERTIFIED QUALITY
 MANAGEMENT
 SYSTEM**

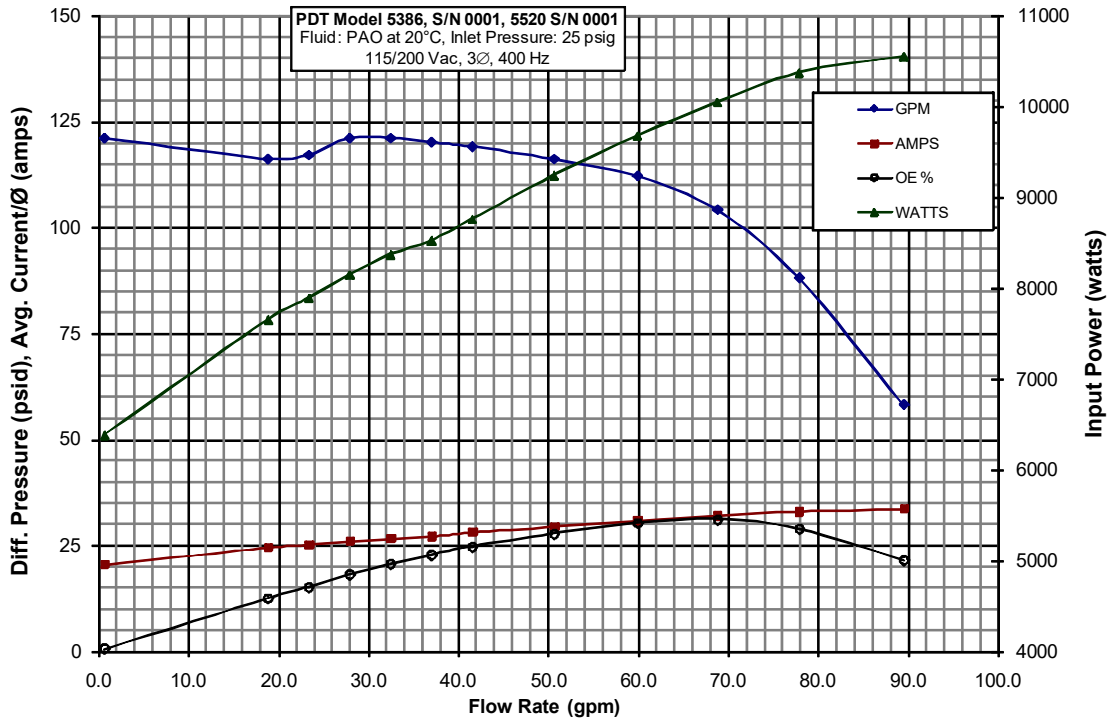
Our people are part of our product.

PDT Model 5386

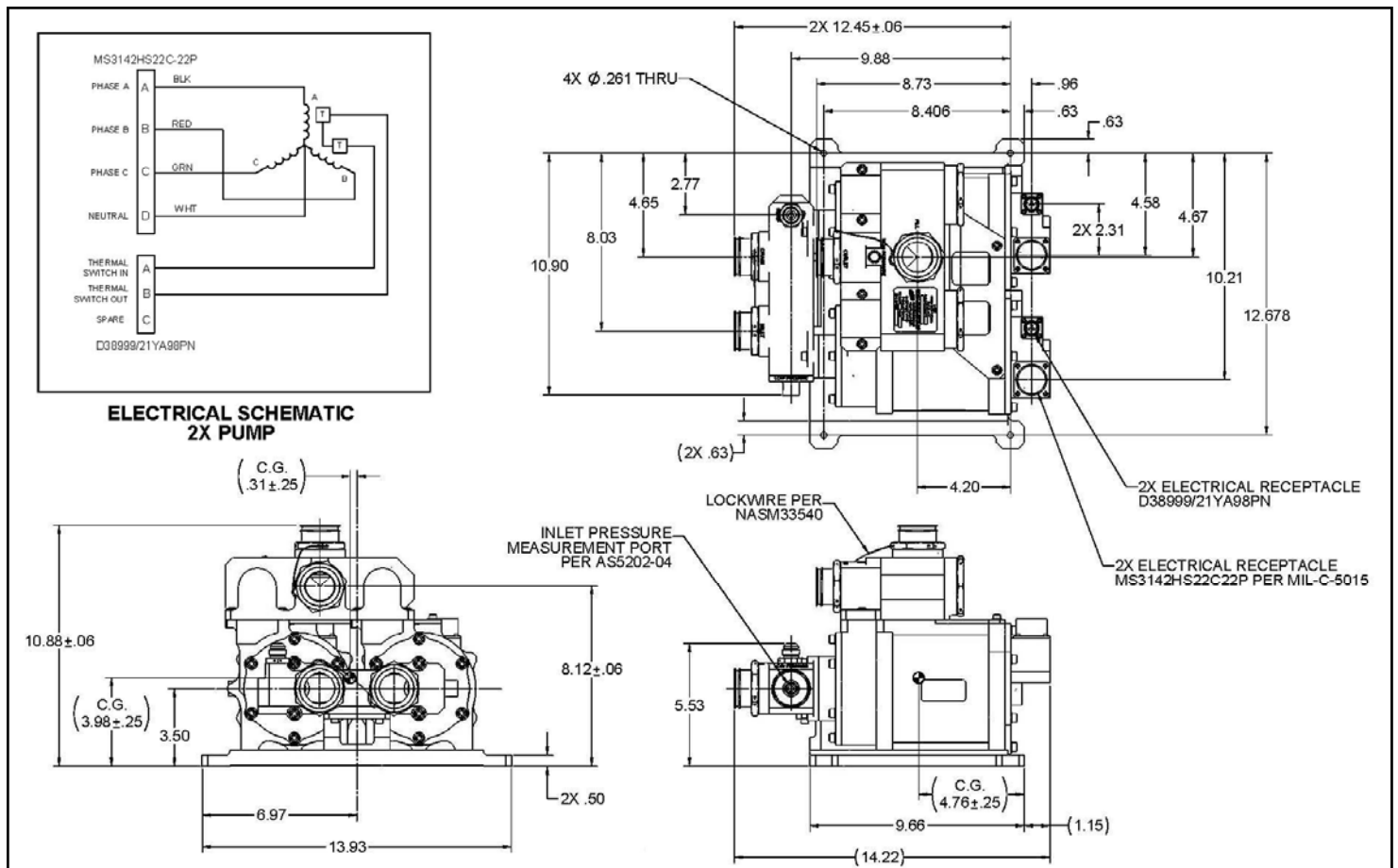
COOLANT PUMP

PDT Model 5386

Performance Graph



Dimensions



PACIFIC DESIGN TECHNOLOGIES, INC.
 6300 Lindmar Drive, Goleta, CA 93117
 Tel: (805) 961-9110
 Fax: (805) 961-9120
 www.pd-tech.com

AMETEK®
 AEROSPACE & DEFENSE
 THERMAL MANAGEMENT SYSTEMS

AS9100
 CERTIFIED QUALITY
 MANAGEMENT
 SYSTEM

Our people are part of our product.

PDT Model 5386