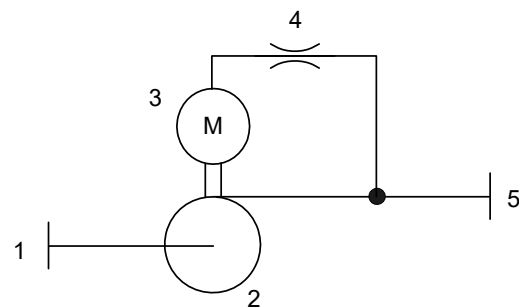


PUMP, COOLANT AC MOTOR DRIVEN PDT Model 5162-1



- 1. Inlet Port
- 2. Centrifugal Pump
- 3. AC Motor
- 4. Cooling Orifice
- 5. Outlet Port

Hydraulic Schematic

Description

PDT Model 5162-1 is a 115/200 VAC, 400 Hz, 3-phase powered centrifugal pump. The pump assembly was designed for maximum reliability by incor-

porating journal bearings and eliminating the shaft seal, and circulating partial working fluid flow through the motor cavity. Further protection is provided

by thermal switches imbedded in the motor windings. The Pump has been designed and qualified to various RTCA -DO-160 requirements.

Specification

Pump Parameters

| | |
|---------------------|---------------------------------------------------------------|
| Fluid: | Polyalphaolefin (PAO) per MIL-PRF-87252 |
| Pump Flow: | 12.7 gpm @ 37 psid |
| Inlet Pressure: | 5 psig @ 30.9°C |
| Temperature Ranges: | Operating: -55°C to +70°C Storage: -55°C to +85°C |
| Operating Voltage: | 115/200 VAC, 3 Ø, 400 Hz, 4 Wire WYE Connected |
| Input Power: | 740 Watts (max at rated conditions) |
| Pressure: | Max Operating: 100 psig Proof: 150 psig Burst: 200 psig |
| Pump Type: | Centrifugal |
| Weight: | Dry: 5.25 lbs (max) Wet: 5.75 lbs (max) |
| Electrical: | Integral thermal switches |

PACIFIC DESIGN TECHNOLOGIES, INC.

6300 Lindmar Drive, Goleta, CA 93117
Tel: (805) 961-9110
Fax: (805) 961-9120
www.pd-tech.com



**AS9100
CERTIFIED QUALITY
MANAGEMENT
SYSTEM**

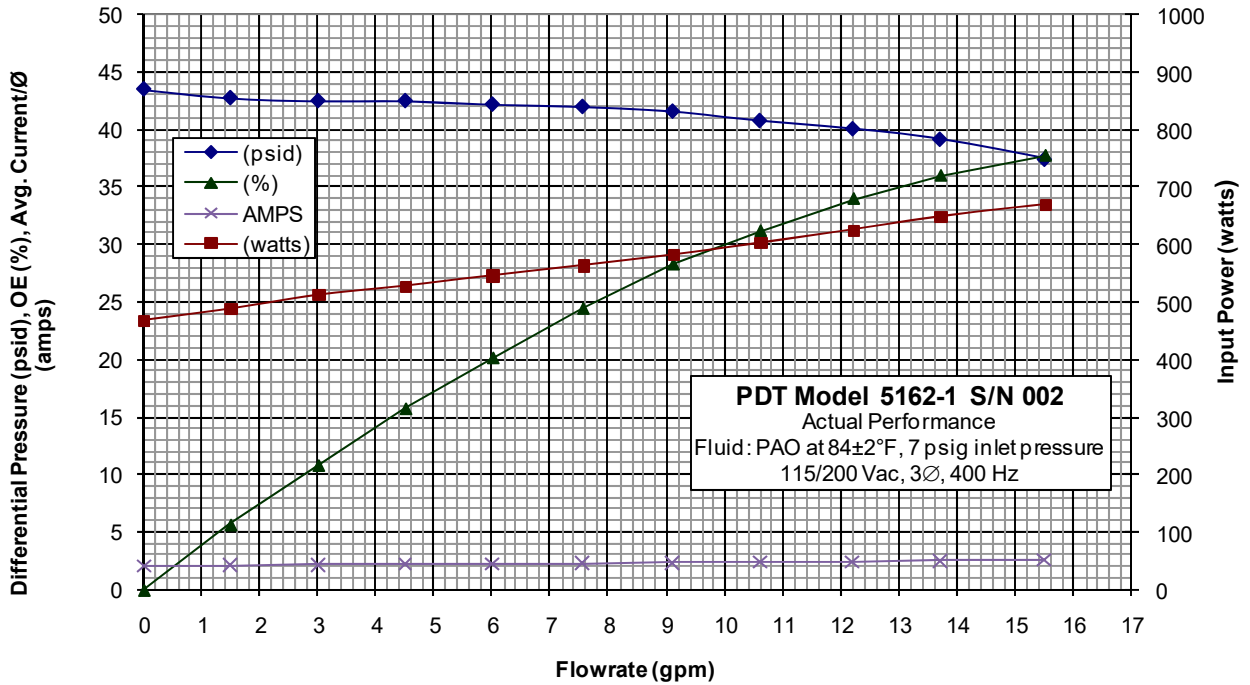
Our people are part of our product.

PDT Model 5162-1

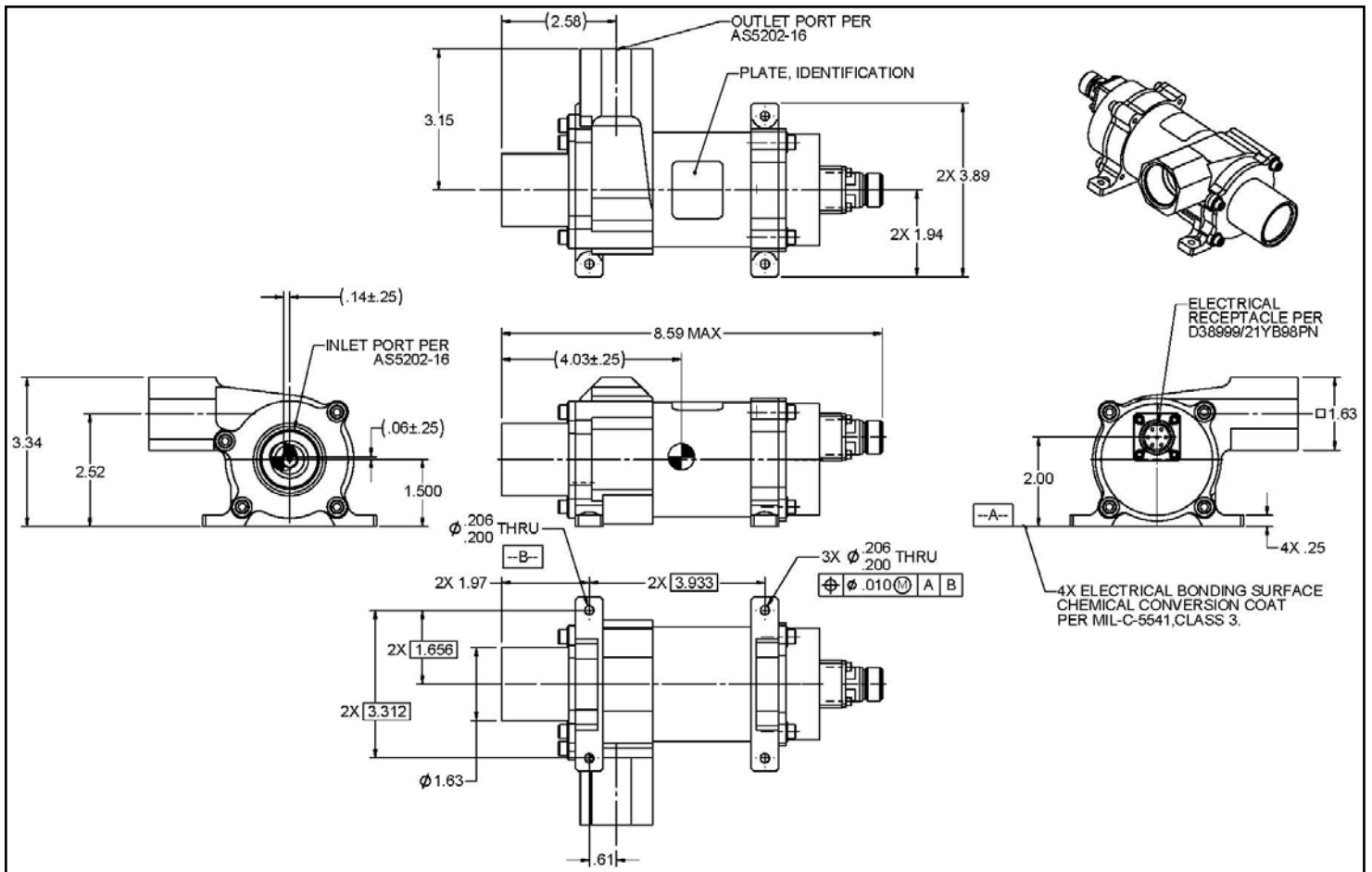
PUMP, COOLANT AC MOTOR DRIVEN, LEFT SIDE

PDT Model 5162-1

Performance Graph



Outline



PACIFIC DESIGN TECHNOLOGIES, INC.
6300 Lindmar Drive, Goleta, CA 93117
Tel: (805) 961-9110
Fax: (805) 961-9120
www.pd-tech.com

AMETEK
AEROSPACE & DEFENSE
THERMAL MANAGEMENT SYSTEMS

AS9100
CERTIFIED QUALITY
MANAGEMENT
SYSTEM

Our people are part of our product.

PDT Model 5162-1