

## HIGH PRESSURE BOOTSTRAP RESERVOIRS

### Description

PDT's high pressure bootstrap reservoirs provide fluid storage volume, expansion/contraction capability, and pump inlet pressurization for high pressure Hydraulic Systems. Reservoirs can be custom designed for displacements and associated sensors. Units can be made available with digital fluid level sensors, pressure sensors, temperature sensors, and flow sensors. High pressure bootstrap reservoirs offer an advantage to aircraft hydraulic systems in that there is no quiescent pressure on the non-energized fluid circuit, minimizing the potential for leakage and maintenance. Operating pressure is determined by the hydraulic system pump output.



### Specification

Fluid:	MIL-PRF-5606
Fluid Capacity:	2 Gal (462 cu. in., 7.57L)
Temperature:	Operating: -65°F to +275°F (-54°C to +135°C)
Low Pressure Chamber:	Operating: 100 psig Proof: 160 psig Burst: 241 psig
High Pressure Chamber:	Operating: 4150 psig Proof: 6640 psig Burst: 10,000 psig
Position Transducer:	Available upon request (shown with rotary potentiometer)
Temperature Sensor:	Available upon request
Pressure Transducer:	Available upon request
Dry Weight:	21.6 lbs. max dry

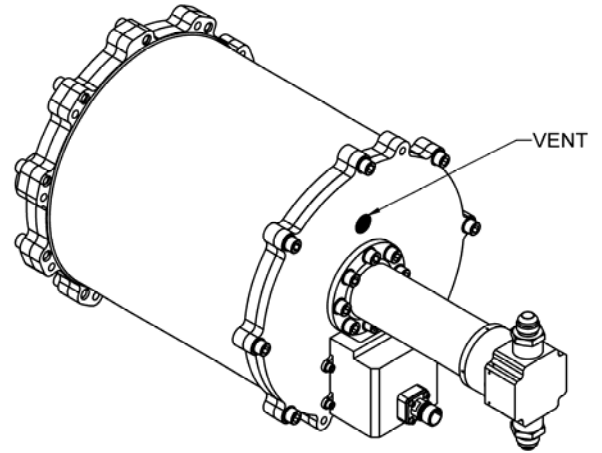


# HIGH PRESSURE BOOTSTRAP RESERVOIRS

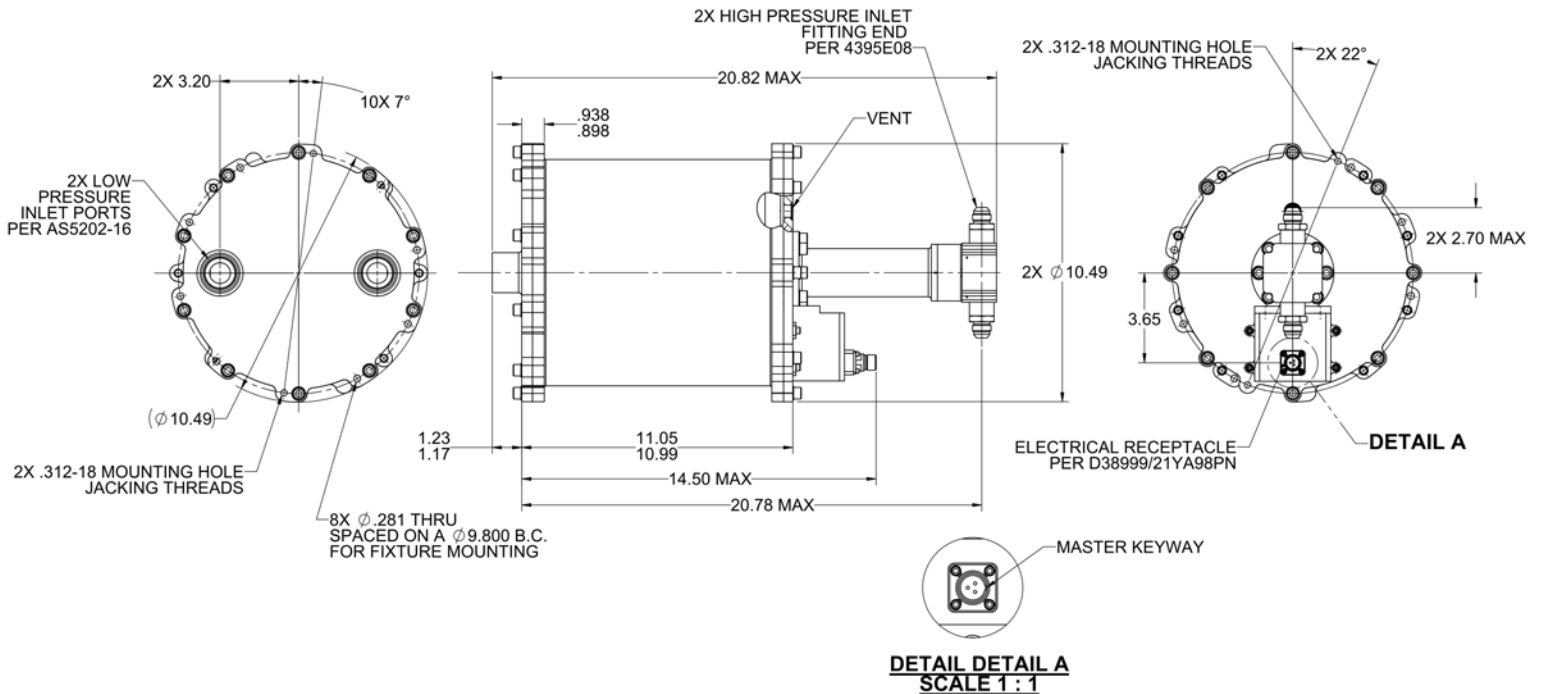
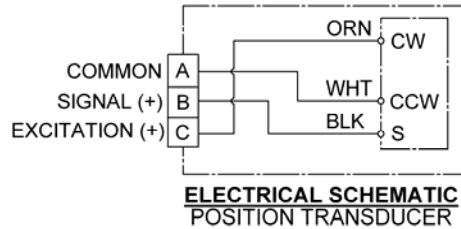
PDT Model 4024

## DESIGN NOTES

1. FLUID: HYDRAULIC FLUID, PETROLEUM BASE PER MIL-PRF-5606
2. FLUID CAPACITY: 2.0 GALLONS MINIMUM (462 CU. IN)
3. TEMPERATURE: -65°F TO +275°F
4. LOW PRESSURE: OPERATING: 105 PSIG MAX  
PROOF: 160 PSIG  
BURST: 241 PSIG
5. HIGH PRESSURE: OPERATING: 4,150 PSIG MAX  
PROOF: 6,640 PSIG  
BURST: 10,000 PSIG
6. POSITION TRANSDUCER: EXCITATION: 5.00VDC+/-0.010  
OUTPUT: TBD
7. WEIGHT: 21.6 LBS MAX (DRY)



ISOMETRIC VIEW



PACIFIC DESIGN TECHNOLOGIES, INC.

6300 Lindmar Drive, Goleta, CA 93117

Tel: (805) 961-9110

Fax: (805) 961-9120

www.pd-tech.com

**AMETEK**<sup>®</sup>  
AEROSPACE & DEFENSE  
THERMAL MANAGEMENT SYSTEMS

*Our people are part of our product.*

AS9100  
CERTIFIED QUALITY  
MANAGEMENT  
SYSTEM

PDT Model 4024